

ELEDWPA Series

25 & 40 Watt LED Adjustable Wall Pack

STANDARD



The ELEDWPA Series is a rugged, durable LED wall pack that provides full adjustability of the LED module, so light can be focused up, down, or anything in between. It is perfect for outdoor perimeter and area lighting. With a die cast aluminum housing and a polycarbonate lens, the ELEDWPA Series will stand up to many years of punishing environmental conditions. High-efficacy, long-life LEDs provide both energy and maintenance cost savings compared to traditional, HID wall packs.

FEATURES

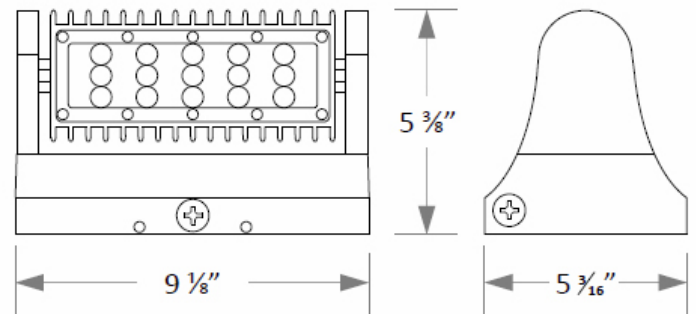
- Available in 4000k (neutral white) and 5000k (cool white) color temperatures
- Long-life LEDs provide 61,000 hours of operation with at least 70% of initial lumen output (L70).**
- ELEDWPA25 provides 3,325 lumens and 133 lumens per watt (LPW) at 4000k, or 3,280 lumens and 131 LPW at 5000k*
- ELEDWPA40 provides 5,238 lumens and 131 LPW at 4000k, or 5,131 lumens and 128 LPW at 5000k*
- Uniform illumination with no visible LED pixilation
- Universal 120-277 AC voltage (50-60Hz) is standard
- Power factor > 0.90
- Total harmonic distortion < 20%
- Color rendering index > 70
- Die cast aluminum housing with durable, dark bronze, powder coat paint
- Polycarbonate lens with seamless, silicone gasket to prevent leaks
- Easy installation in new construction or retrofit

* Contact factory for other color temperatures and lumen packages.

** L70 hours are IES TM-21-11 calculated hours.



DIMENSIONS



Weight: 4.2 lb.

WARRANTY & LISTINGS

- cULus listed for wet locations (-20°C to 45°C / -4°F to 113°F).
- IP65 rated
- DLC approved
- Complies with FCC Part 15 class B
- Complies with EN61000-4-5, surge immunity (1kV)
- 5-year warranty on all electronics and housing

ORDERING INFORMATION

Model	Luminaire Watts	Luminaire Lumens	Lumens Per Watt	Color Temperature
ELEDWPA25W	25	3,325	133	4K = 4000k 5K = 5000k
	25	3,280	131	
ELEDWPA40W	40	5,238	131	4K = 4000k 5K = 5000k
	40	5,131	128	

07.2019

ELECTRICAL

MODEL	COLOR TEMP	CRI ¹	LUMINAIRE LUMENS	LUMINAIRE WATTS	LUMENS/WATT	INPUT VOLTAGE ²	INPUT CURRENT (A)			POWER FACTOR	THD ³	L ₇₀ HOURS ⁴
							120V	240V	277V			
ELEDWPA25W	4000k	> 70	3,325	25	133	120-277	0.21	0.10	0.09	> 90%	< 20%	61,000
ELEDWPA25W	5000k	> 70	3,280	25	131	120-277	0.21	0.10	0.09	> 90%	< 20%	61,000
ELEDWPA40W	4000k	> 70	5,238	40	131	120-277	0.33	0.17	0.14	> 90%	< 20%	61,000
ELEDWPA40W	5000k	> 70	5,131	40	128	120-277	0.33	0.17	0.14	> 90%	< 20%	61,000

¹ Color rendering index

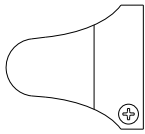
² Total harmonic distortion

³ Total harmonic distortion

⁴ L₇₀ refers to the number of hours at which lumen output declines to 70% of the initial level. L₇₀ hours are IES TM-21-11 calculated hours.

PHOTOMETRIC DATA

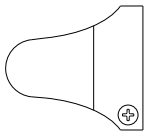
Luminaire Orientation:



BUG Rating: B3-U1-G0

Zone	Lumens	%
FL - Front - Low (0-30)	1,430	44%
FM - Front - Medium (30-60)	357	11%
FH - Front - High (60-80)	33	1%
FVH - Front - Very High (80-90)	5	0%
Total Forward Light	1,826	56%
BL - Back - Low (0-30)	1,241	38%
BM - Back - Medium (30-60)	189	6%
BH - Back - High (60-80)	16	0%
BVH - Back - Very High (80-90)	0	0%
Total Back Light	1,446	44%
UL - Up Light - Low (90-100)	1	0%
UH - Up Light - High (100-180)	8	0%
Total Up Light	9	0%
Total Lumens	3,280	100%

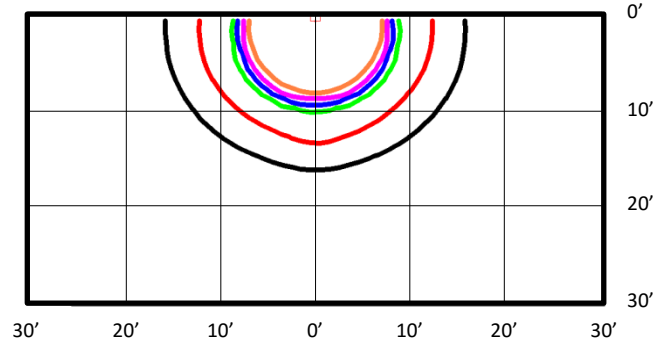
Luminaire Orientation:



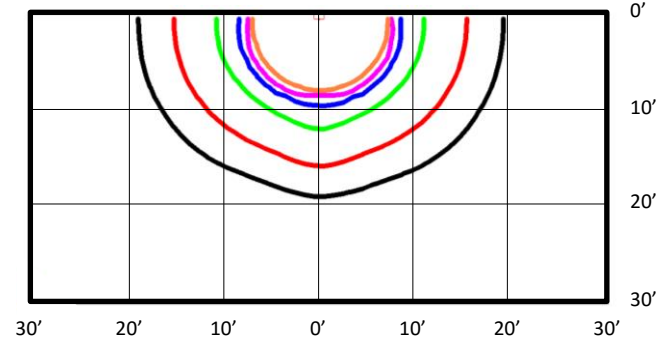
BUG Rating: B3-U2-G1

Zone	Lumens	%
FL - Front - Low (0-30)	2,285	45%
FM - Front - Medium (30-60)	433	8%
FH - Front - High (60-80)	61	1%
FVH - Front - Very High (80-90)	11	0%
Total Forward Light	2,790	54%
BL - Back - Low (0-30)	1,993	39%
BM - Back - Medium (30-60)	299	6%
BH - Back - High (60-80)	32	1%
BVH - Back - Very High (80-90)	1	0%
Total Back Light	2,325	45%
UL - Up Light - Low (90-100)	2	0%
UH - Up Light - High (100-180)	14	0%
Total Up Light	16	0%
Total Lumens	5,131	100%

ELEDWPA25W-5K (3,280 Lumens)



ELEDWPA40W-5K (5,131 Lumens)



Foot Candles



Notes:

- Isofootcandle plots depict initial footcandles at grade.
- Gridlines represent units of mounting height of 10 feet.